

# MAXIM™

Outdoor Wood Pellet and Corn Furnace



*We Build Excellence®*

**FINANCING  
AVAILABLE\***

\*At Participating U. S. Dealers.  
OAC

[maximheat.com](http://maximheat.com)



## What's Inside

Welcome  
 System Installation View  
 Forced Air Illustration  
 Foundation Dimensions  
 Color Options  
 Maxim Measurements ..... 2, 3

Detail Drawing  
 Detail Views ..... 4

Insulation Comparison  
 FireStar™ Electronic Controller  
 Optional Hex Hopper and External Bin  
 Fuel Cost Comparison ..... 5

Test Lab  
 ThermoPEX® Insulated Pipe  
 Hydronic Forced Air Heaters ..... 6

Parts and Accessories  
 Sample Parts List  
 Burn Time Factors  
 Conversion Factors ..... 7

**Illustrations**

Forced Air vs. Radiant In-Floor Chart  
 Radiant Heat-Multi Zone In-Floor  
 Single Zone 8-Loop with Water Heater ..... 8

Greenhouse/Suspended Space Heater  
 Multiple Buildings ..... 9

Pools/Hot Tubs  
 Existing Boiler Directly Plumbed  
 Existing Boiler Pressurized ..... 10

Baseboard/Forced Air  
 In-Floor Radiant/Forced Air ..... 11

**General Information** ..... 12

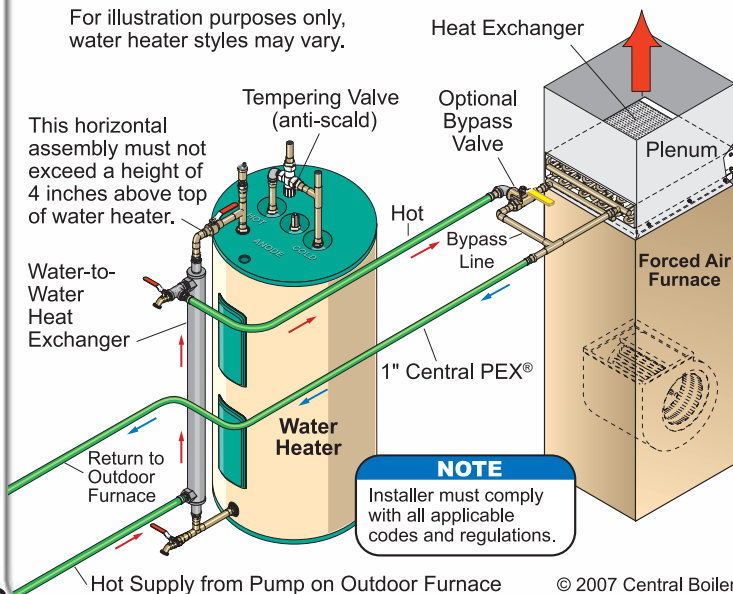


ThermoPEX® insulated pipe can also be used above ground for quick, temporary winter installs.

## Forced Air System with Water Heater

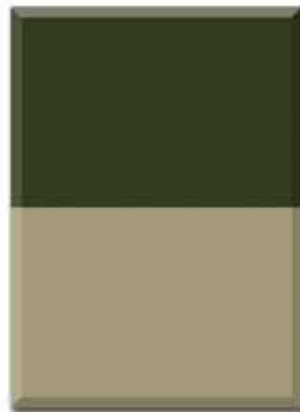
For a closer look at other heating applications, refer to pages 8-11.

For illustration purposes only, water heater styles may vary.



## Two Color Combinations to Choose From

Select the color combination that best coordinates with your landscape.



Green and Olive Gray



Terra Brown and Taupe  
 (textured finish)



## Welcome to Central Boiler

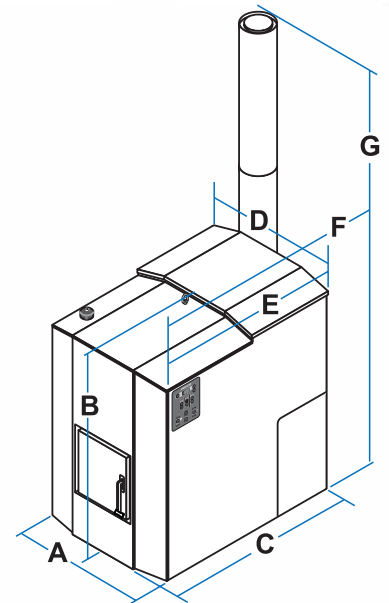
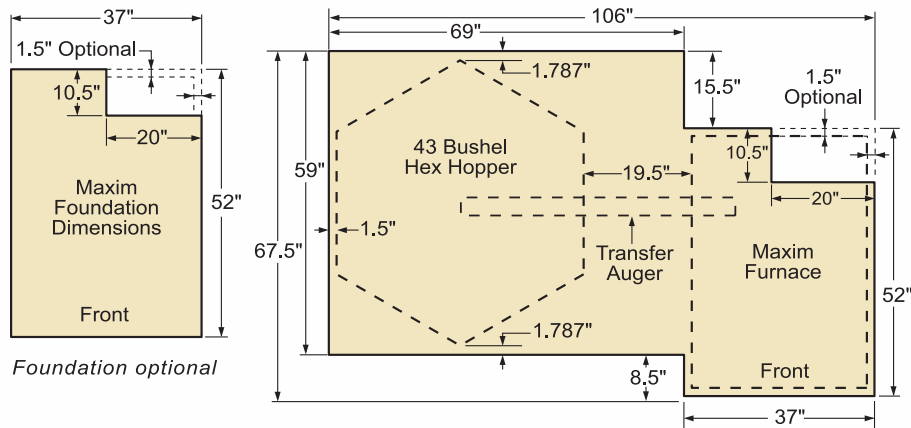
We have been in business since 1984 and are North America's largest manufacturer of outdoor furnaces. Our products are continually improved and refined. We make it our goal to provide our customers with the finest outdoor wood pellet and corn furnaces available anywhere. For you as a consumer the Maxim offers many advantages. Corn and wood are renewable and inexpensive. Conventional sources of heat such as propane, natural gas, fuel oil and electricity deplete our irreplaceable fossil fuels. They are also subject to constant price fluctuations. Our Maxim outdoor furnace takes the age-old idea of burning wood and modernizes it. By keeping the fire outside the home, it eliminates the dangers and mess associated with traditional indoor wood or corn stoves. Our innovative, industry-leading design maximizes efficiency. It provides a heat source free of foreign nation influence and "the grip of big oil." Our Maxim offers you an alternative that will save you money. This brochure will provide answers to questions you may have about our clean, efficient approach to hydronic heat. Please browse through this brochure to learn how you can benefit from a Maxim wood pellet and corn furnace for your home or business.

### The Maxim Outdoor Furnace Can Work for You

The Maxim outdoor wood pellet and corn furnace is installed outside, typically 30 to 200 feet (but as far as 500 feet) away from your home or business, and works with any existing heating system. A water jacket surrounds the furnace firebox and heated water is circulated to the home or building through insulated underground tubes. Water-to-air or water-to-water heat exchangers or direct circulation conveys the heat into the structure's forced-air furnace, boiler or radiant floor heating system. This allows for normal thermostatic control of temperature for safe, even and comfortable heat. The ability to heat multiple buildings and domestic water can eliminate your heating bills. Outside burning removes the threat of devastating chimney fires and the dangerous carbon monoxide buildup or oxygen depletion which affects your indoor air quality. It also eliminates the smoke, ashes, odors and soot buildup on walls and ceilings inside your home that indoor burning creates.



### Maxim Foundation Dimensions



#### NOTE

Furnace must be installed on a noncombustible surface or foundation that incorporates an enclosure that will prevent supply and return lines from any possible exposure to sunlight, fire, or physical damage that may be caused by an occurrence outside the furnace enclosure.

### Maxim Measurements

| A   | B   | C     | D     | E   | F     | G     |
|-----|-----|-------|-------|-----|-------|-------|
| 34" | 53" | 49.5" | 35.5" | 48" | 56.5" | *125" |

\* Measurement (G) includes a standard chimney.



**Durable, Weatherproof, Powder-coated Finish**

**FireStar™ Electronic Controller** – Provides user with easy operation of the furnace with just the touch of a button. The **Automatic Power Ignition** starts and restarts as needed, no hand starting or use of starting gels required.

**Water Jacket** (90 gallon capacity)

**Tube Heat Exchange System**

**Insulated, lockable Access Door**

**Burn Chamber**

**Rotating Aerator** (Patent Pending) – Located in the center of the burn chamber, the aerator is submerged in the fuel bed and supplies oxygen to the fuel for the most complete combustion, allowing the furnace to achieve efficiencies up to 80% plus.\*

**Two 4-foot 6" Class A Insulated Stainless Steel Chimney Sections Standard**

**Large Top Loading Hopper Door** - Allows easy access to the hopper for filling and is lockable.

**Integrated 7-Bushel Hopper** - The large self-contained 7-bushel hopper means filling the furnace less often, allowing the furnace to heat for days on a single fuel load.

**Rear Exhaust Outlet with Convenient Access**

**Sprayed-on Urethane Foam Insulation** - 100% airtight and waterproof

**Easy Access Panel** - Provides convenient hook-up and housing for up to two pumps.



**Sealed and Permanently Lubricated Gear Drive with High Torque Motors** – No chains, no sprockets, no hassles and maintenance free.

**Safety and Less Mess** – Installed outside, in a garage or a shed,\*\* the non-pressurized furnace removes the mess and combustion associated with traditional indoor wood or corn stoves from inside the home.

**Heat Output** – Self modulating and adjusts between idle, normal and high settings as the heat demand changes. The furnace has a Btu range of up to 175,000.

**High Heat Transfer System** – 8-tube heat exchange system provides maximum heat conversion.

\*Efficiency is dependent upon fuel quality and furnace settings.

\*\*Must be installed in accordance with all applicable codes and regulations.



View inside the firebox



Interior view of hopper shown with door open



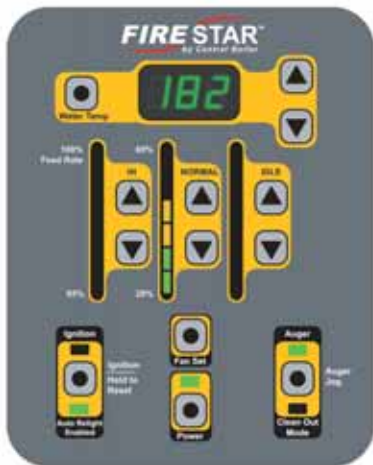
Interior view of rear access area shown with one pump (sold separately)



## Let's Compare Insulation ...

|                                 | Urethane | Fiberglass Batt |
|---------------------------------|----------|-----------------|
| Waterproof                      | ☺        | ☹               |
| Airtight                        | ☺        | ☹               |
| Effectively Covers All Surfaces | ☺        | ☹               |
| Maintains "R" Value             | ☺        | ☹               |
| Higher "R" Value                | ☺        | ☹               |

There is no match for the urethane insulation we use on our furnaces. The sprayed-on urethane foam insulation provides a waterproof, airtight barrier that does not degrade or compress like fiberglass batt insulation does. The urethane foam provides 2-3 times the effective "R" value of conventional fiberglass batt insulation. Consider that the most efficient water heaters use urethane foam.



The FireStar™ electronic controller by Central Boiler provides you with easy operation of your Maxim outdoor wood pellet and corn furnace with just the touch of a button. The Automatic Power Ignition and the Auto Relight feature, use propane to reliably start the fire as needed, eliminating the need for hand starting or use of starting gels or lighter fluids. The Water Temperature, Feed Rate and Fan Set are adjustable so you can customize the settings for your personal heating requirements. The heat output is self modulating and automatically adjusts between idle, normal and high settings as your heat demand changes. The LED display informs you of the current water temperature as well as operational status messages.

## Optional 43 Bushel Hex Hopper and Larger External Bin



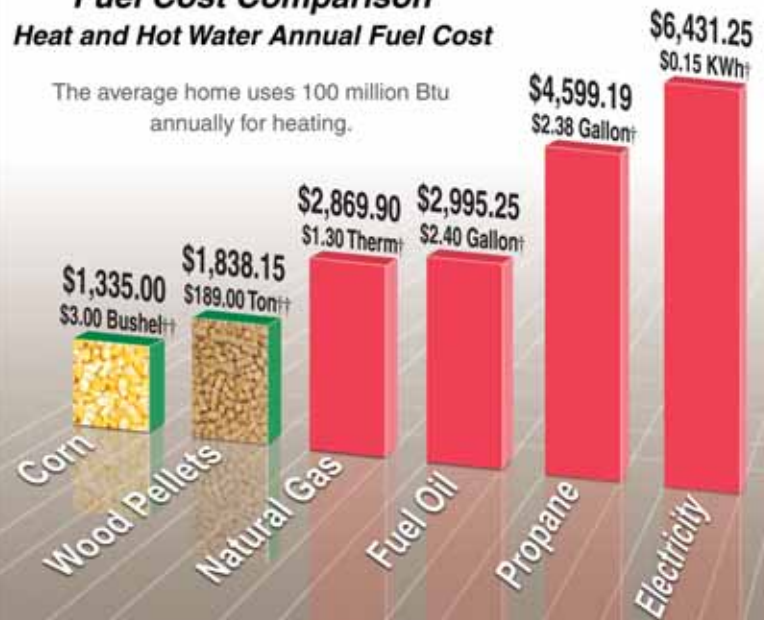
**43 Bushel Hex Hopper** – allows user to access fuel supply with **Optional Transfer Auger**.



**Larger external bin** – allowing the furnace to heat for months on a single loading.

## Fuel Cost Comparison Heat and Hot Water Annual Fuel Cost

The average home uses 100 million Btu annually for heating.



†New Hampshire Office of Energy and Planning.

††Prices are approximate and will vary based on location.

Appliance efficiency will affect annual fuel cost.



### Central Boiler's Test Laboratory

Within Central Boiler's Research and Development Department lies the most complete testing laboratory in the industry. Over the years, Central Boiler has developed many industry firsts. Since 1984, our R&D Department has been developing and testing products before the changes reach the assembly line. This facility

has the ability to collect and analyze a wide range of data, including emissions and efficiency. This state-of-the-art Test Laboratory allows our highly skilled engineers to develop the best. At Central Boiler, research, development, testing and refining are part of the everyday process - not a one time event.

#### ThermoPEX® by Central Boiler



#### ThermoPEX Insulated Piping System

ThermoPEX is a flexible pre-insulated piping system that saves energy and maximizes the efficiency of your outdoor furnace. ThermoPEX consists of two 1-inch or 1-1/4 inch oxygen barrier Central PEX lines (supply and return) that are insulated with high-density polyurethane closed-cell foam insulation and a thick, durable, waterproof, polyethylene outer jacket. The corrugated design allows flexing for easier installation. ThermoPEX is the best insulated piping system available for your outdoor furnace. Don't settle for other brands that have inferior insulation values and higher heat losses.

#### Fan Forced Hydronic Heaters

All-Around Comfort That's Quick and Easy to Control

A perfect solution to warm up those cold spots in your home. Whether it is your entry, kitchen or patio door area these fan forced hydronic heaters will provide comfort that's efficient, quick and easy to control. They are quiet, elegant, stylish, and designed to blend in making the best possible use of space.



#### Kickspace Hydronic Heaters

Designed to fit under cabinets or in other spaces.





### A complete line of parts and accessories

For the maximum performance and life of your furnace, always insist on using Central Boiler authorized system parts and accessories.

There is no need to chase from here to there for your parts, accessories and maintenance tools. Central Boiler has them all. Central Boiler has thousands of square feet of space dedicated to inventory which our dealer network may access. Overnight, second day, three day, and ground delivery are available to our dealers five days a week.

To locate your nearest Maxim dealer, either visit our website at [maximheat.com](http://maximheat.com) and use the dealer locator or call 1-800-248-4681.

### Sample Parts List For Forced Air Heating System

| Qty | p/n  | Description                        |
|-----|------|------------------------------------|
| 1   | 107  | 125,000 Btu Heat Exchanger Coil    |
| 1   | 2053 | Domestic Water Heater Fittings Kit |
| 1   | 591  | Domestic Water Heat Exchanger      |
| 1   | 171  | Circulation Pump                   |
| 1   | 224  | Isolation Flange Kit, 3/4"         |
| 1   | 190  | 24 V Thermostat                    |
| 1   | 118  | 3/4" Close Nipple                  |
| 1   | 198  | 3/4" Ball Valve                    |
| 6   | 1330 | 3/4" MPT x 1" PEX Adapter          |
| 6   | 5978 | 1" Stainless Steel Clamp           |
| *   |      | ThermoPEX® Insulated Pipe          |
| 1   | 777  | 6" Spark Arrestor (Optional)       |
| 1   | 296  | Check Valve                        |
| 2   | 333  | 1-1/4" Round Pipe Cap              |
| 2   | 274  | 3/4" 90° Street Elbow              |
| 1   | 5367 | 3/4" Brass Coupling                |
| 1   | 199  | 3/4" Brass Hose Bib                |
|     | 1650 | 1650XL Inhibitor Plus              |
| 1   | 6593 | Ground Rod Kit                     |

Illustration for forced air heating system is located on page 2.  
 \* Installation distance to the furnace will determine the quantities.  
 Consult dealer on insulation options available.

### Factors that affect your fuel burn rate



- Increased heat loss**
- Poorly insulated building(s)
  - Cold air infiltration
  - Energy inefficient windows and doors
  - Colder temperature



- Decreased heat loss**
- Well insulated building(s)
  - Minimal cold air infiltration
  - Energy efficient windows and doors
  - Warmer temperature

### Conversion Factors

#### Heat Content of Common Fuels

- Shelled Corn = 392,000 Btu/bushel
- Fuel Oil = 140,000 Btu/gallon
- Propane = 92,000 Btu/gallon
- Natural Gas = 100,000 Btu/therm
- Electricity = 3,413 Btu/kWh
- Wood Pellets = 320,000 Btu/40 lb bag or 16,000,000 Btu/ton

Source: University of Minnesota Extension Service

#### One Bushel of Corn

- = 2.8 gallons Fuel Oil
- = 4.26 gallons Propane
- = 3.92 therms Natural Gas
- = 114.85 kWh Electricity

#### One 40 lb Bag of Wood Pellets

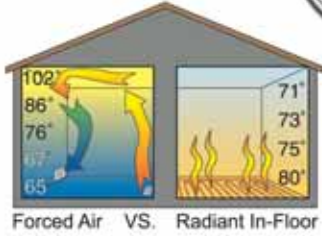
- = 2.3 gallons Fuel Oil
- = 3.5 gallons Propane
- = 3.2 therms Natural Gas
- = 94 kWh Electricity

Comparisons with 80% efficiencies. Conversion factors were determined by dividing the Btu content of wood pellets or corn by the Btu content of another fuel.

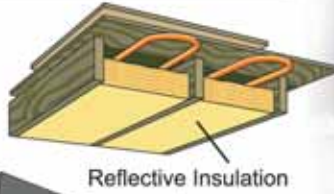
Fuel Btu contents, heating appliance efficiencies and pricing will determine overall heating costs and comparisons.



## Multi Zone In-Floor with Forced Air Heat

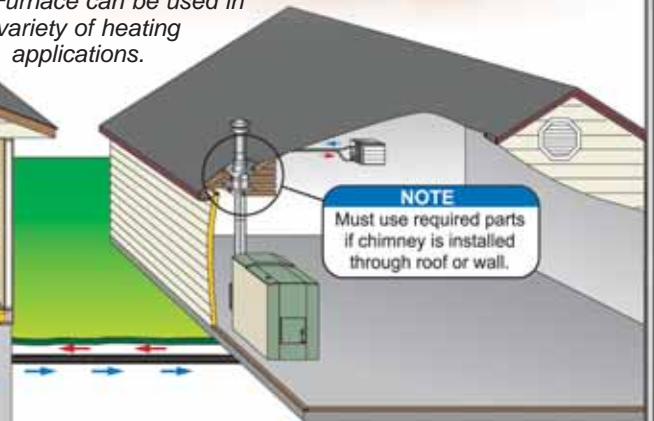
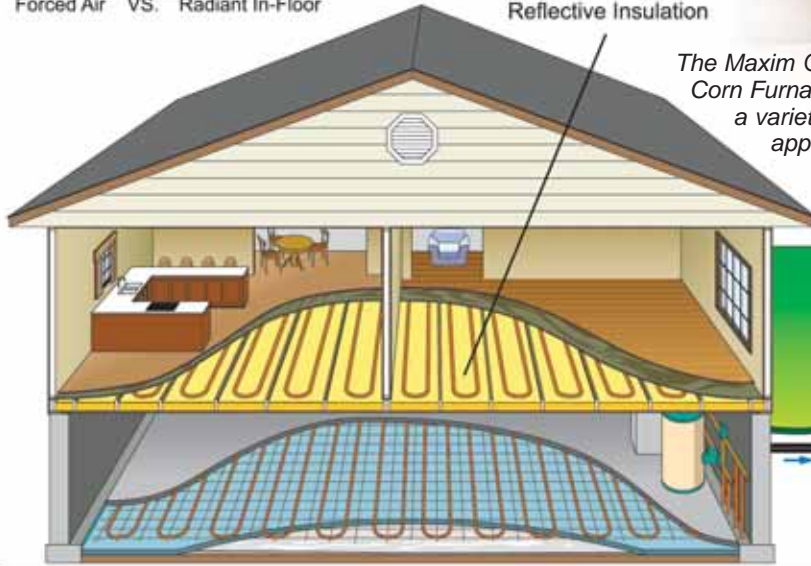


Forced Air VS. Radiant In-Floor



Reflective Insulation

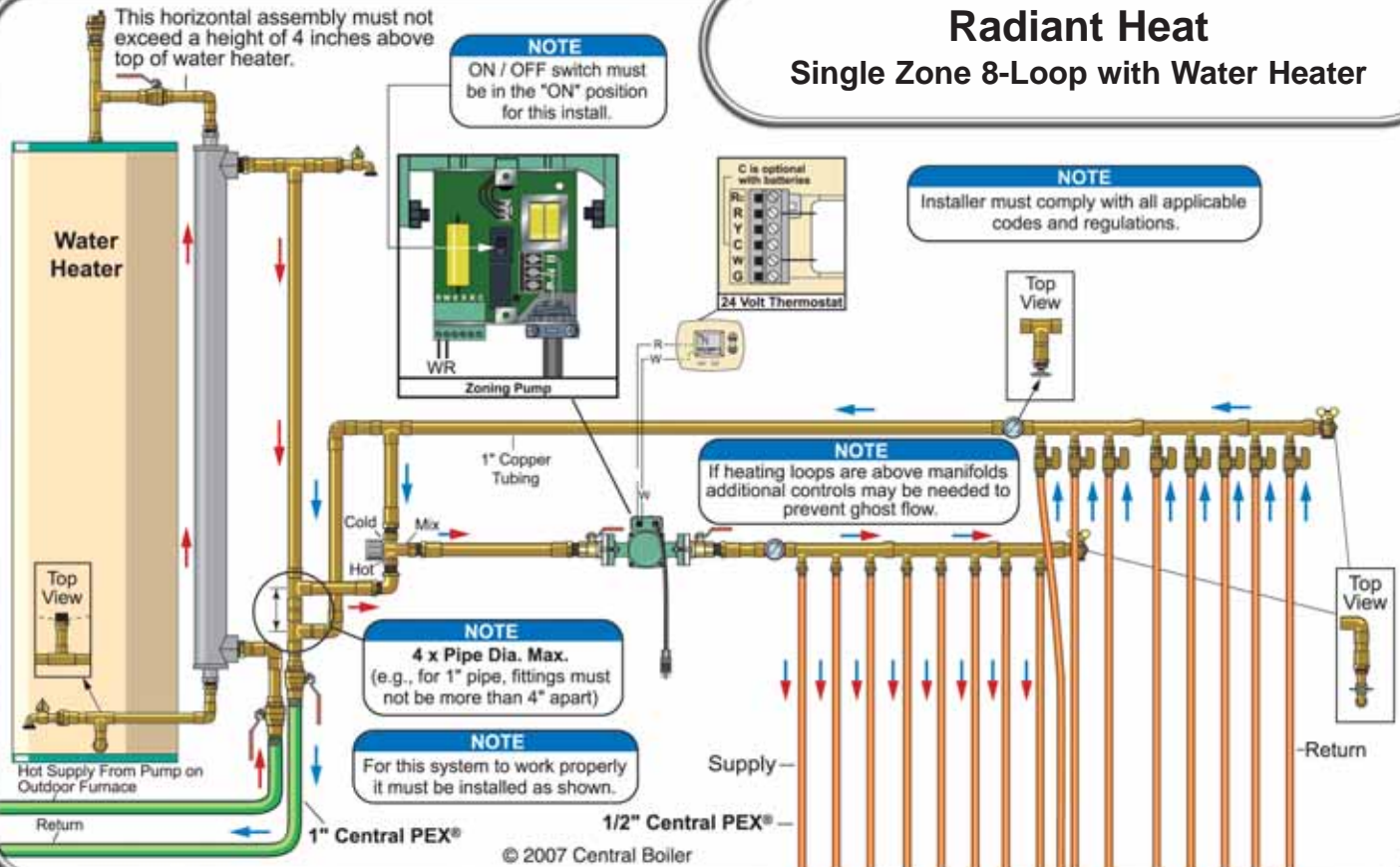
The Maxim Outdoor Wood Pellet and Corn Furnace can be used in a variety of heating applications.



**NOTE**  
Must use required parts if chimney is installed through roof or wall.

© 2007 Central Boiler

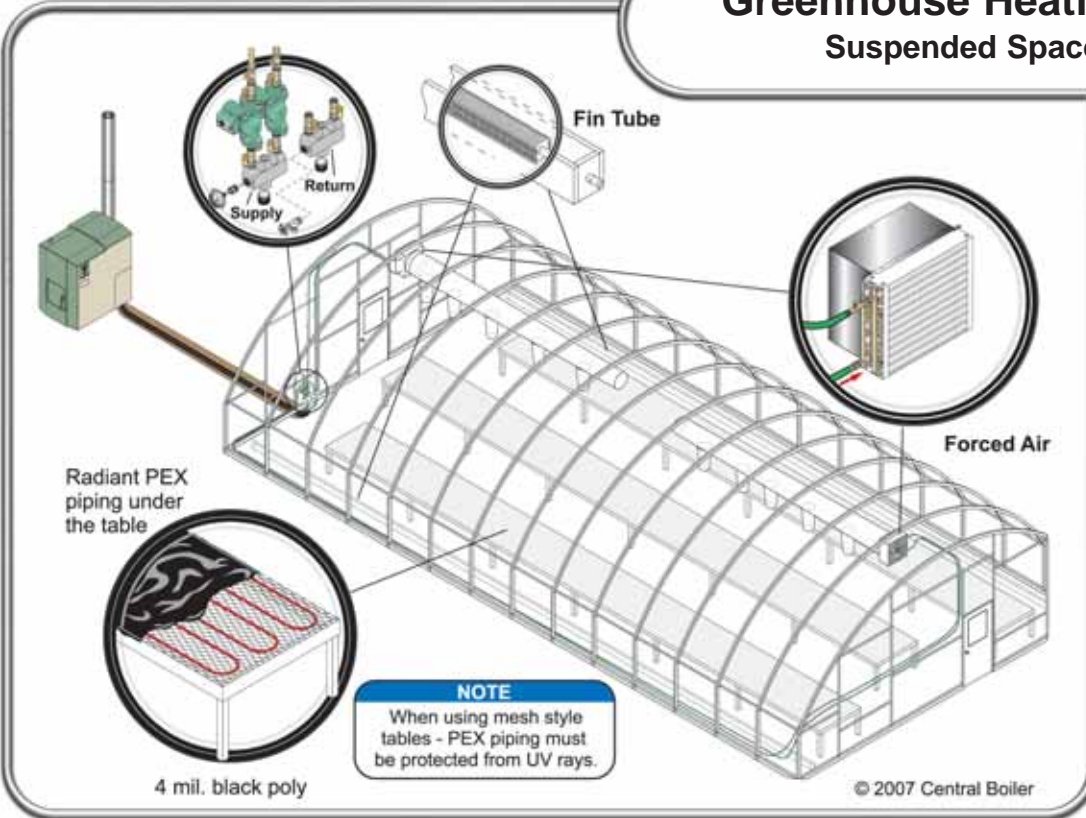
## Radiant Heat Single Zone 8-Loop with Water Heater



© 2007 Central Boiler



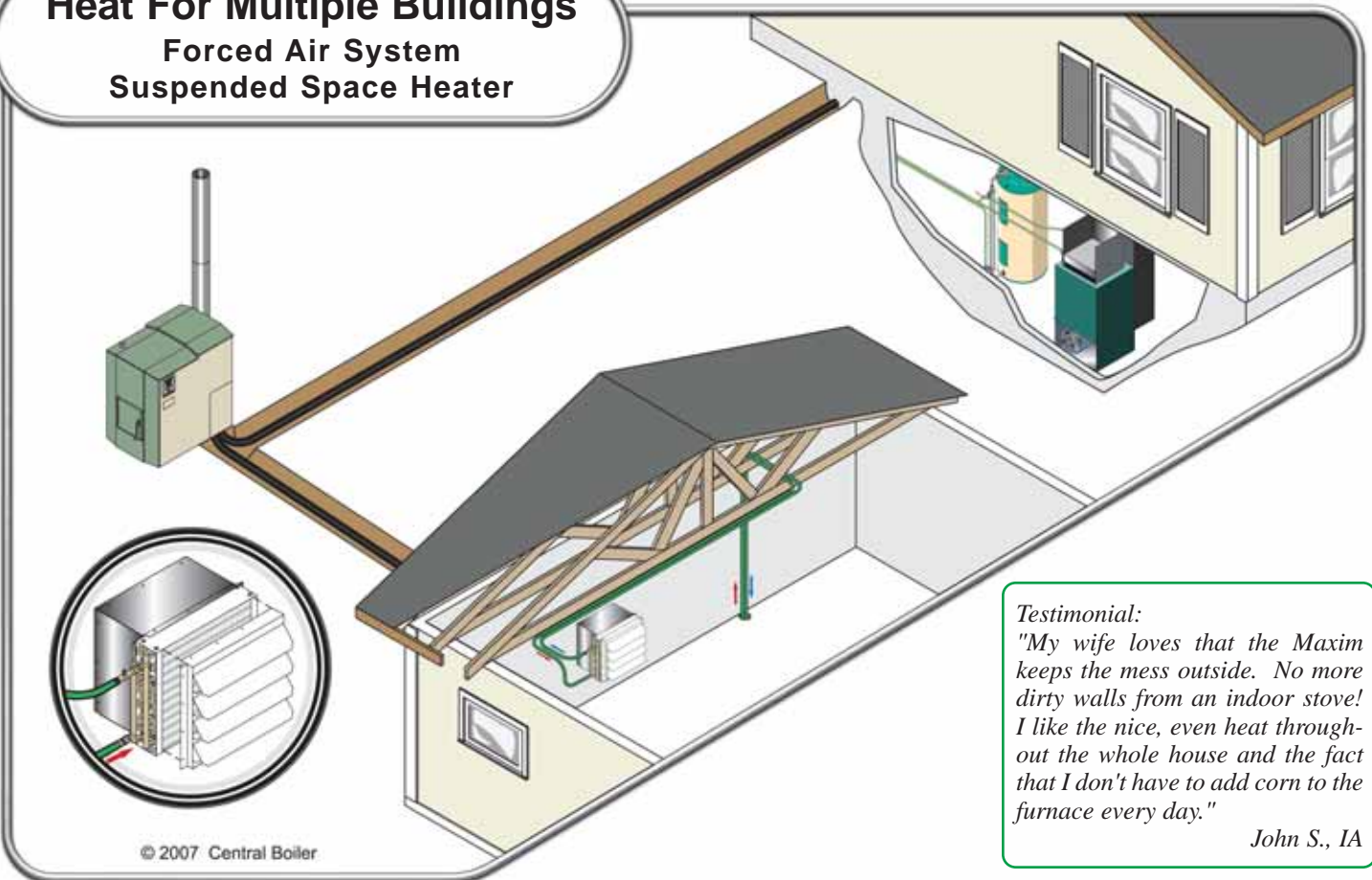
## Greenhouse Heating Options Suspended Space Heater



*Testimonial:*  
 "Installing my Maxim last winter was the best thing I have ever done. Even with the high prices of corn I was able to cut my heating bill by 60%. Plus I was able to heat my home and garage with the same unit and keep the furnace outside. I am so impressed with how clean the unit burns and how great my dealer was to work with."

*Melvin F., MN*

## Heat For Multiple Buildings Forced Air System Suspended Space Heater

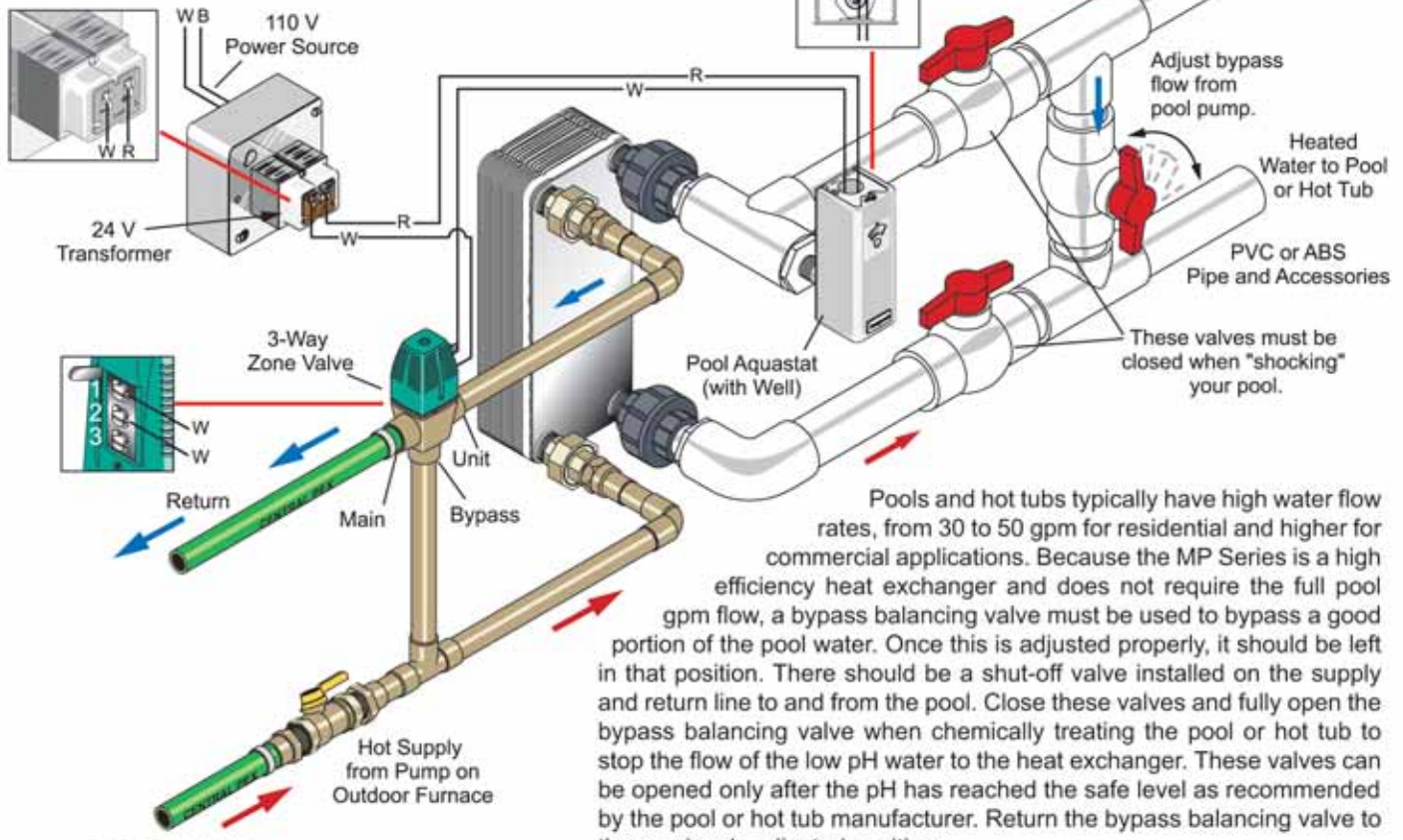


*Testimonial:*  
 "My wife loves that the Maxim keeps the mess outside. No more dirty walls from an indoor stove! I like the nice, even heat throughout the whole house and the fact that I don't have to add corn to the furnace every day."

*John S., IA*



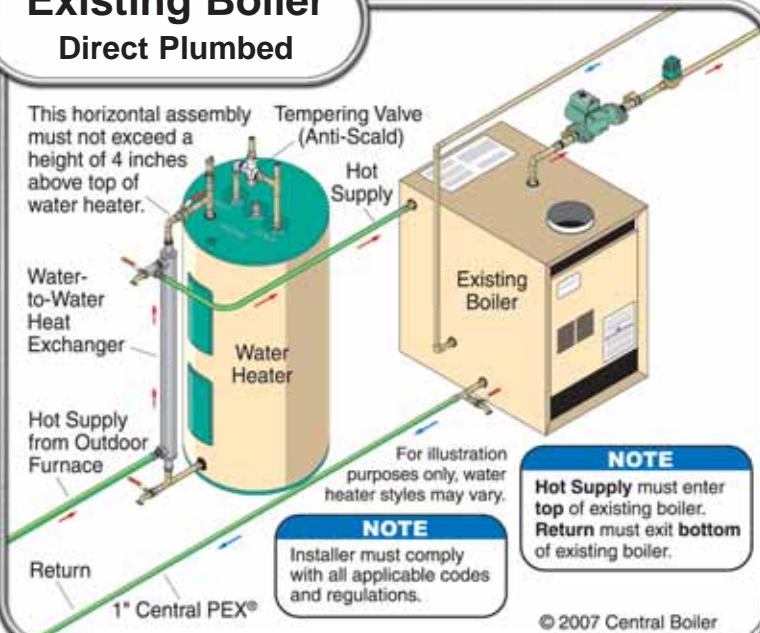
## Pool/Hot Tub Application



Pools and hot tubs typically have high water flow rates, from 30 to 50 gpm for residential and higher for commercial applications. Because the MP Series is a high efficiency heat exchanger and does not require the full pool gpm flow, a bypass balancing valve must be used to bypass a good portion of the pool water. Once this is adjusted properly, it should be left in that position. There should be a shut-off valve installed on the supply and return line to and from the pool. Close these valves and fully open the bypass balancing valve when chemically treating the pool or hot tub to stop the flow of the low pH water to the heat exchanger. These valves can be opened only after the pH has reached the safe level as recommended by the pool or hot tub manufacturer. Return the bypass balancing valve to the previously adjusted position.

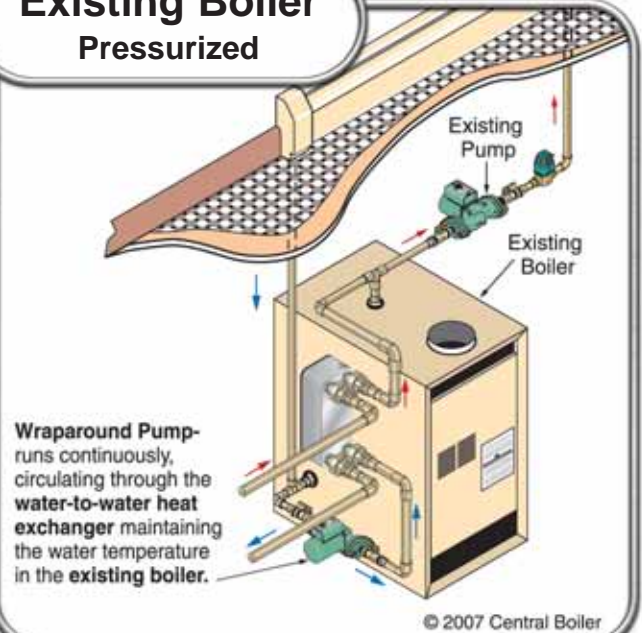
© 2007 Central Boiler

## Existing Boiler Direct Plumbed



© 2007 Central Boiler

## Existing Boiler Pressurized



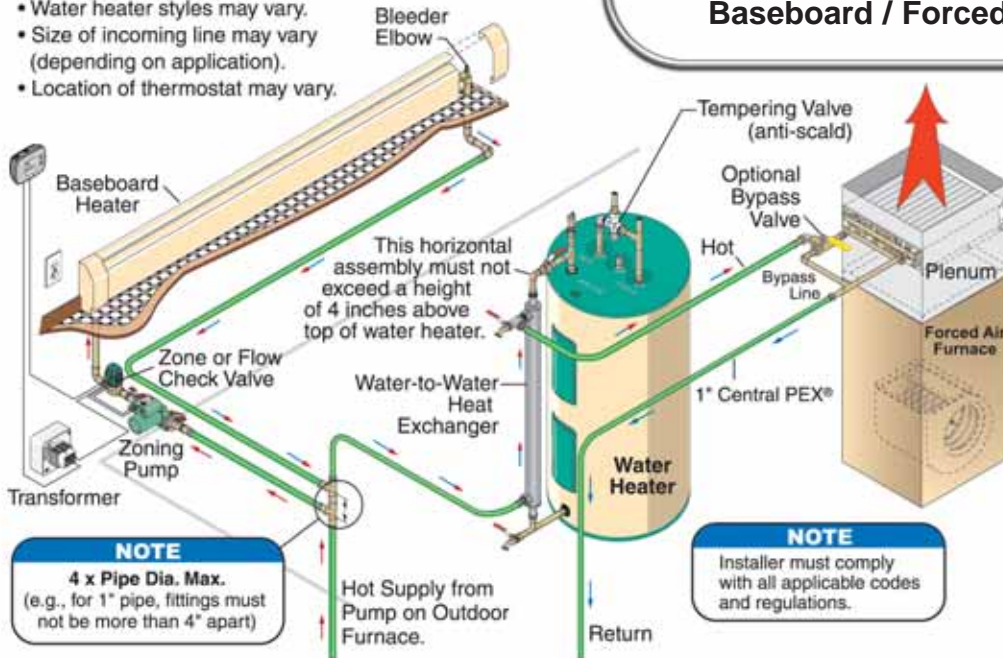
© 2007 Central Boiler



## Dual Heat System Baseboard / Forced Air

For illustration purposes only:

- Water heater styles may vary.
- Size of incoming line may vary (depending on application).
- Location of thermostat may vary.

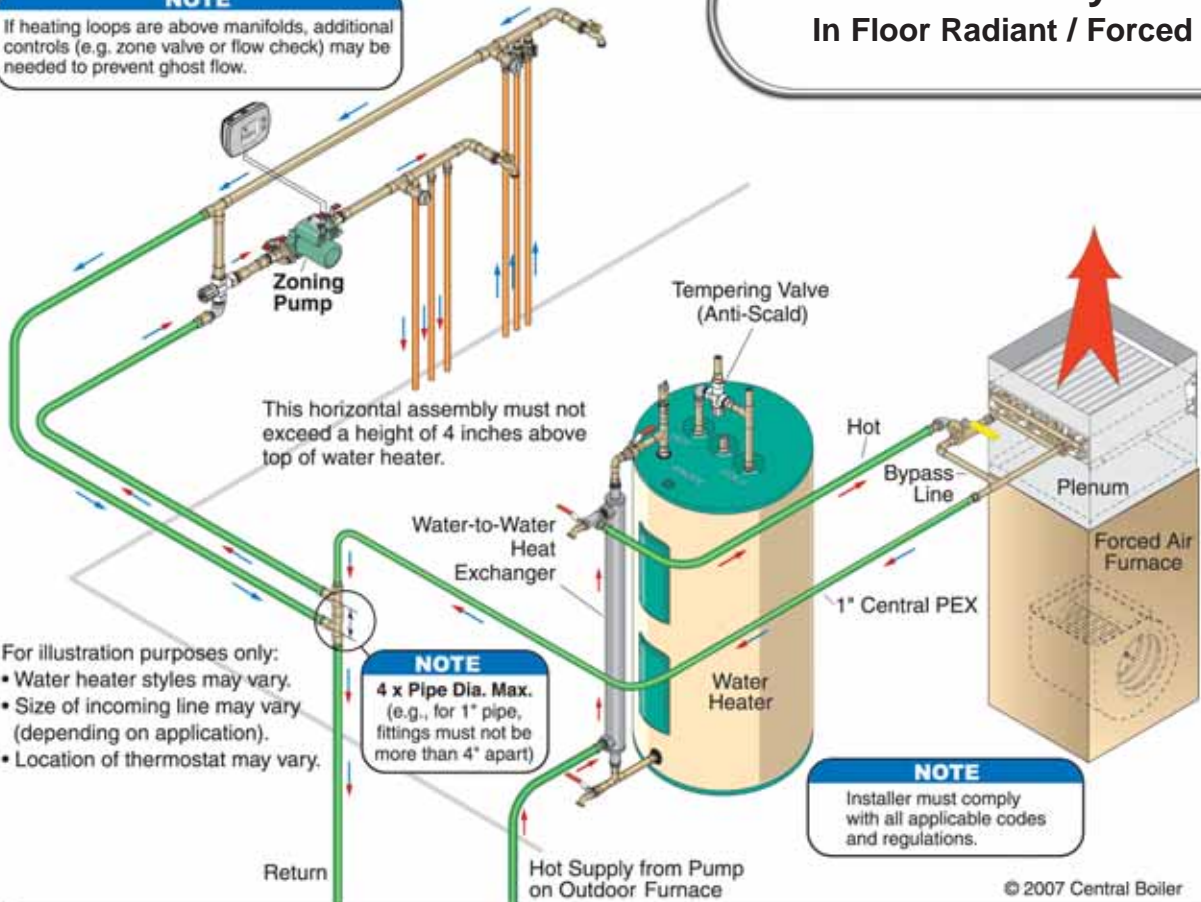


© 2007 Central Boiler

## Dual Heat System In Floor Radiant / Forced Air

### NOTE

If heating loops are above manifolds, additional controls (e.g. zone valve or flow check) may be needed to prevent ghost flow.



© 2007 Central Boiler

## Why You Should Choose the Maxim™ Outdoor Wood Pellet and Corn Furnace by Central Boiler

It's a choice that can improve your family's living environment and standard of living while eliminating the fire hazards and time-consuming chore of tending a traditional wood stove.

The Maxim outdoor wood pellet and corn furnace can heat 100% of your home and hot water.\* By virtually eliminating your heating costs, the Maxim can often pay for itself in the first two years of use. Over a ten year period, a homeowner or business may save \$10,000 to \$50,000 or more in heating costs.

### Environmental Benefits

The Maxim is beneficial for the environment because burning wood pellets or shelled corn is natural. Both are totally renewable resources and, when burned, result in no net increases in carbon dioxide. On the other hand, fossil fuels when burned release carbon dioxide which would otherwise be trapped in the earth. The burning of fossil fuels causes a net increase in carbon dioxide which is believed to be responsible for the heat-trapping greenhouse effect.

In addition to the clean-burning characteristics, burning shelled corn further benefits the environment because it is typically grown locally. The small amount of ash left over from burning shelled corn in the Maxim can even be used to fertilize garden areas.

Wood pellets are environmentally friendly not only because of their clean-burning characteristics, but also because they are typically made from materials generated in saw mills or furniture manufacturing factories that were once discarded in landfills or left to rot on the forest floor.

### Authorized Maxim Dealers located across the U.S. and Canada

When you're looking for a wood pellet or corn heating system for any need, your Maxim dealer is there to serve you. Your Maxim dealer can answer your questions, provide you with literature about the Maxim outdoor wood pellet and corn furnace and help you choose the model right for your heating needs. To locate a Maxim dealer in your area, reference the dealer locator on the internet at [maximheat.com](http://maximheat.com).

© 2007 Central Boiler

© ™ Trademarks of Central Boiler, Inc.

Printed in the USA 8/07

For the maximum performance and life of your furnace, always insist on using Central Boiler authorized system parts and accessories.

See Owner's Manual for proper chimney height and installation.

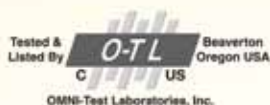
Minimum chimney height is determined by proximity to other buildings.

Consider location and direction smoke may travel with prevailing winds before installing your furnace.

Content of this publication is information in possession of Central Boiler at the time of the design and may not represent what was previously manufactured. Product specifications and appearance subject to change.

Must be installed in accordance with all applicable codes and regulations.

\*Heat load must be identified if Maxim is intended to heat 100% of home and hot water.



### Qualified Individuals Working Together for a Common Purpose: A High Quality Finished Product

Central Boiler was established in 1984 and is the premier manufacturer of quality outdoor furnaces in North America. Central Boiler, in Greenbush, Minnesota, is one of the largest manufacturers of outdoor furnaces. Based upon a desire to create safer and more efficient heating products, the company's innovations and patents have established Central Boiler as a leader in product quality. The uncompromising attitude to manufacture the best and always strive to make it better is at the core of the company's growth. Central Boiler has a dealer network that has now established itself throughout the United States and Canada.



### Start Saving on Your Heating Bills Today

Central Financing is a quick and easy financing program that offers competitive rates. By installing a Maxim outdoor furnace by Central Boiler you can eliminate your heating costs and start putting more money into your pocket today. For more information, call your local participating Maxim dealer.

### Limited Warranty

An optional five year limited warranty is available on Maxim outdoor furnaces that are registered at the time of purchase. Central Boiler leads the industry with its commitment to stand behind its outdoor furnaces.

*See Warranty Registration form for details.*

### Your Authorized Maxim Dealer